

**PRESSED PAPER CONE WITH RUBBER SURROUND WOOFER**  
**MYLAR DOME TWEETER**  
**25 MM (WF), 14 MM (TW) VOICE COIL**  
**10 OZ FERRITE (WF), NEODYMIUM (TW) MAGNET**  
**POWER: 50 WATT (100 WATT PEAK)**  
**SENSITIVITY: 88 DB**  
**FREQUENCY RESPONSE: 65 HZ - 18000 HZ**  
**IMPEDANCE: 4 OHM**



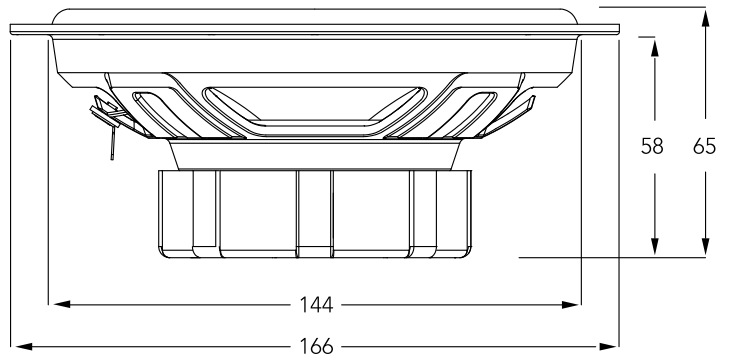
SPECIFICATIONS			
Technical Characteristics	Symbol	Value	Units
SYSTEM GENERAL DATA			
Nominal Power Handling (AES)*	P	50	W
Transient Power *	Pp	100	W
Sensitivity 1W/1m	SPL	88	dB SPL
Frequency Response		65 - 18000	Hz
Nominal Impedance	Z	4	$\Omega$
*Nominal and Transient power @ High Pass 80Hz - 12db/Oct			

WOOFER VOICE COIL AND MAGNET PARAMETERS			
Voice Coil Diameter	Dia	25.5	mm
Magnet System		Ferite-Y25	
BL Product	BxL	3.1	Na

TWEETER VOICE COIL AND MAGNET PARAMETERS			
Voice Coil Diameter	Dia	13.3	mm
Magnet System		Neodymium N-35	

WOOFER T&S PARAMETERS			
DC Resistance	$\Omega$	3.3	$\Omega$
Suspension Compliance	Cms	0.39	N/m
Mechanical Q Factor	Qms	4.95	
Electrical Q Factor	Qes	1.97	
Total Q Factor	Qts	1.41	
Moving Mass	Mms	12.9	g
Eq. Comp. Air Load	VAS	10.1	l
Resonance Frequency	Fs	71.2	Hz

TWEETER T&S PARAMETERS			
DC Resistance	$\Omega$	3.6	$\Omega$
Resonance Frequency	Fs	2320	Hz



THE HB1.6C COAXIAL SPEAKER, IF USED FOR THE REAR SEATS OF THE CAR, IS THE IDEAL COMPLEMENT TO THE HB1.6K2X OR HB1.6K2 SPEAKER SYSTEMS

